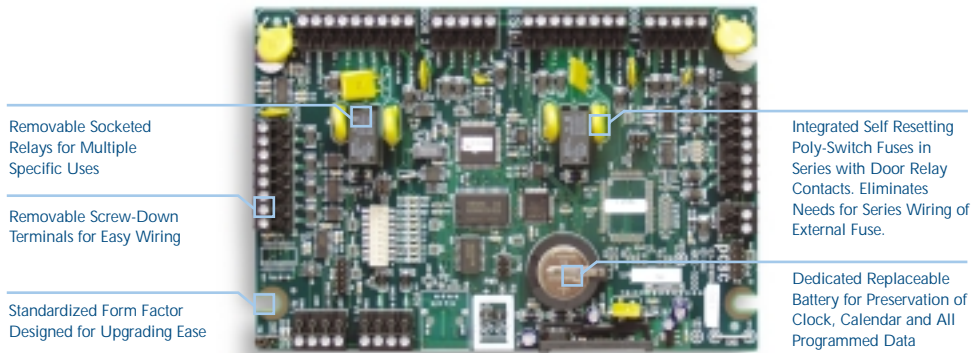


NRX

Two Door Controller Designed Specifically for use with LiNC-Ez Software

COMPLETE
TWO DOOR
ACCESS CONTROL



The **NRX** system is configured to provide 100% Distributed Intelligence (DI). PCSC's DI guarantees complete integrity of the security features even during a loss of communication to the host. All pertinent data necessary to make card access decisions and input/output decisions are stored in the controller and saved in the battery backed up memory for over one year. Additional features provide user applications for simple to high security environments. Basic card authorization is based on reader, time of day, day of week and holiday control. User activation can enable secondary or affiliation group authentication logics.

Capacities

- Up to 32 Panel Capacity
- 2 Readers
- 3,000 up to 10,000 Cardholders
- 4,000 History Transactions
- 16 Site Codes
- 4 Authorization Groups Per Cardholder
- 64 Time Periods
- 64 Holidays
- 1 Year Battery Backed Clock Calendar and Memory

Features

- 100% Distributed Intelligence
- Handicapped Access
- Automatic Card Activation and Deactivation by Date
- Supervised REX monitoring
- User Specified Supervised or Digital Sense Input Definition
- High Security 5 State Alarm Supervision
- Automated Input Calibration
- Dynamic Input to Output Linking
- Timed Anti-Passback
- Supervised Reader Detect Logic
- Electronic Firmware Updates (Flash Memory)
- Real-time Diagnostics
- AC Power Fail Indication
- DC Power Low Indication

Reader Technologies Supported

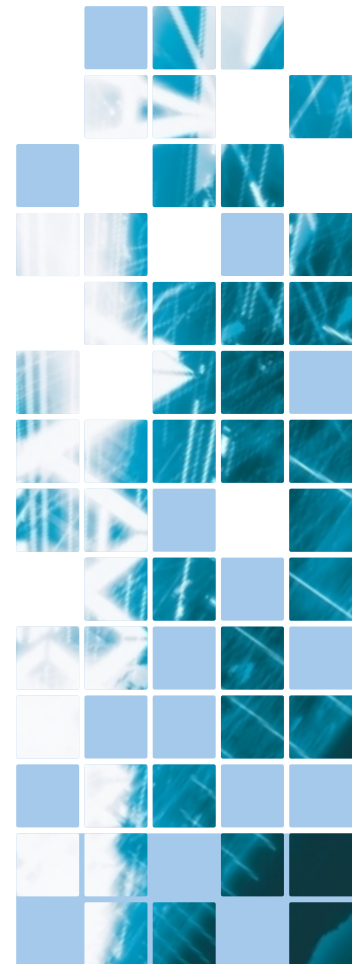
- Proximity
- Smart Card
- Magnetic Stripe
- Barcode
- Keypad
- Biometric

Communications Supported

- RS485
- Dial-up Modem
- Optional PCSC Wireless
- Optional Onboard Ethernet
- Optional Onboard Wireless Ethernet

Commitment to Excellence

All PCSC products allow full forward and backward compatibility. Intermixing is also capable with the iAM controller. In addition, all products are backed by our commitment for complete customer satisfaction.



LOGICAL
INTELLIGENT
NETWORK
CONTROLLERS

PCSC



NRX

Specifications

Relay Rating: Form C 2.5 Amps @24 VDC

Environmental: 32°-115°F (0°-46°C)

Humidity: 0 - 98% Non-Condensing

Enclosure Dimensions

16 AWG CRS Enclosure with Tamper, Lock, and Key

Small: 11.5"h x 16.25"w x 3.88"d (29.21 cm x 41.27 cm x 9.85 cm)

Wireless Communication Requirements

PCSC Wireless—Host-to-Controller:

Line of Site 1,000 Feet (304 m)

Indoor 300 Feet (91 m)

Ethernet Wireless—Host-to-Controller:

Line of Site 1,000 Feet (304 m)

Indoor 300 Feet (91 m)

Cabling Requirements

Host-to-Controller: 4 conductors (RS-485)

Maximum Total Distance 4,000 ft. (1,219 m)

Controller-to-Controller: 4 Conductors (RS-485)

Maximum Total Distance 4,000 ft. (1,219 m)

Controller-to-Door:

Reader: 6 Conductors

Maximum 500 ft. (152 m) or 2,000 ft. (609 m) with Adapter

Door Strike: 2 Conductors

Maximum 2,000 ft. (609 m)

Door Status: 2 Conductors

Maximum 2,000 ft. (609 m)

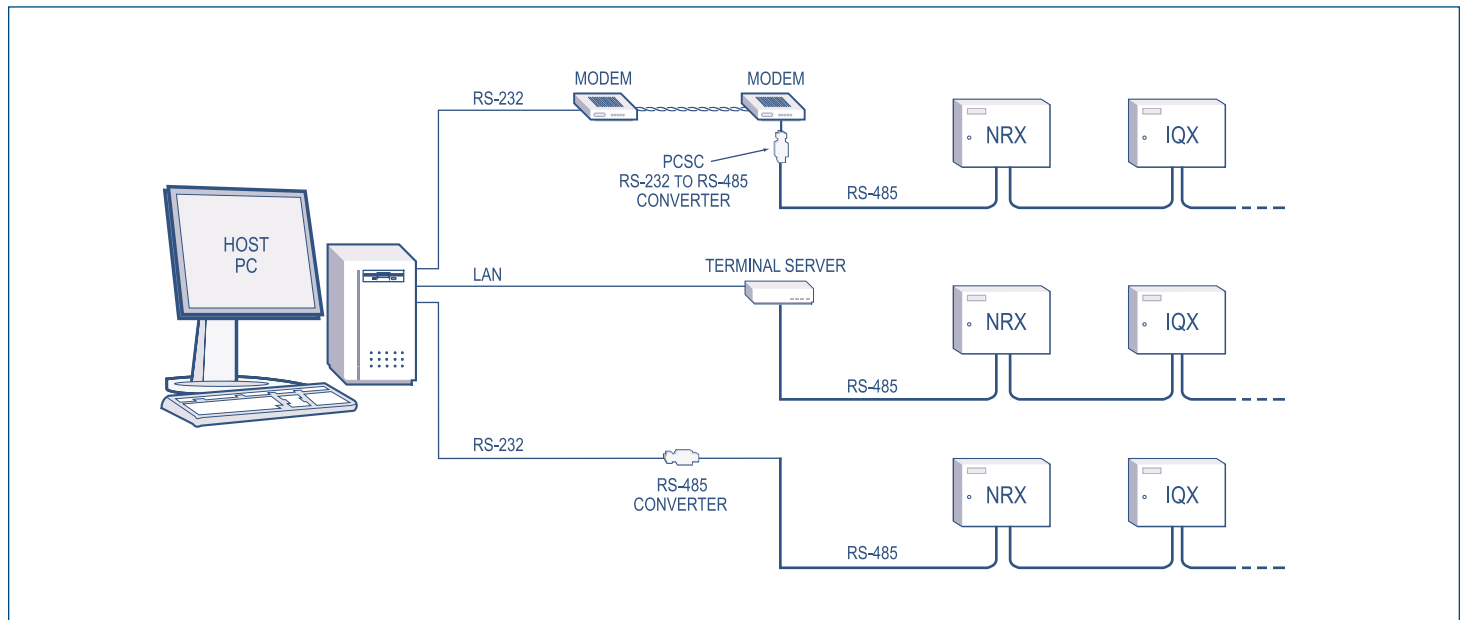
REX: 2 Conductors

Maximum 2,000 ft. (609 m)

Controller-to-Input-Point: 2 Conductors

Maximum 2,000 ft. (609 m)

	TCP/IP Communication	Reader Ports	Door Lock Relay	Door Status Supervised Input	Request To Exit Supervised	Supervised Readers	Additional Supervised Inputs	Voltage Outputs	Enclosure Tamper	Upgrade Capable	Max Power Amps@12VDC
NRX	Optional	2	2	2	2	2	4	2	1	YES	0.7



NRX-0905

